

# SOLO

## FUNCTION CHECK

SOLO offers the possibility to check the function of the tool (extending and retracting of the blade) while it is standing still.

Procedure:

1. Loosen the three clamp screws.
2. Insert wrench over the blade housing.
3. SOLO: Turn wrench clock wise, SOLO2: turn wrench anti-clock wise.

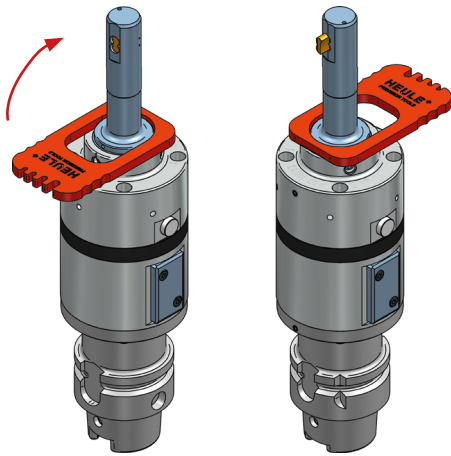


Image 1: SOLO

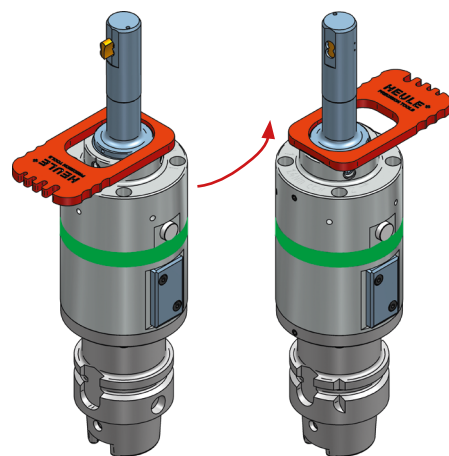


Image 2.: SOLO2

4. Please note that the blade extends if it is SOLO. If it is SOLO2 the blade will retract.
5. After the Function Check, the SOLO wrench has to be turned back in the opposite direction until the positioning bolt hits the control unit at the start mark again. Then the blade housing is aligned with the groove in the control unit again.
6. It is compulsory to remove the SOLO wrench before use - if omitted there is a risk of severe injury.
7. Re-tighten the clamp screws again. **Please make sure to observe the correct order of screw tightening and torque value (values are marked on the tool).**
8. The tool is ready for use now.
9. Activate the tool 2 - 3 x in the machine.



### WARNING NOTICE

Please carry out all SOLO wrench-swivel movements by hand gently in order to be able to recognize possible faults and malfunctions of the blade. The function check is recommended if:

- the tool has not been used for a longer period of time
- after blade change
- after change of blade housing
- after change of blade control
- a malfunction is evident or supposed

### Before you start with the setting to work in the machine, make always sure that:

- all screws have been tightened,
- all auxiliary tools have been removed and that
- the blade housing sits firmly in the control unit.

In case of questions please contact your competent agent or HEULE directly.